

**Specifications:**

**Material And Finish:**

Insulator:PBT UL94V-0 Color:Black

Contact:Phosphor Bronze

Plated:See Ordering Information

**Rating:**

Current Rating:3.0 Amp

Voltage Rating:250V AC/DC

Operating Temperature Range:-40~+105°C

**Electrical:**

Contact resistance:20m Ohm Max

Insulator resistance:1000M ohm min.

Withstanding Voltage:500V AC/Minute

**Ordering Information**

S25612S-XXX89-X

1 2 3 4 5

1: — Series No.

2: — S: Straight Type

3: — No. of Positions

4: — A: Gold Flash

D:10u"Gold on Contact;Gold Flash on tail

F:20u"Gold on Contact;Gold Flash on tail

H:Gold Flash on Contact;Matte Tin on tail

T:10u"Gold on Contact;Matte Tin on tail

Y:30u"Gold on Contact;Matte Tin on tail.

P:Contact Area:Gold 30u";Solder tail: Tin Plated.

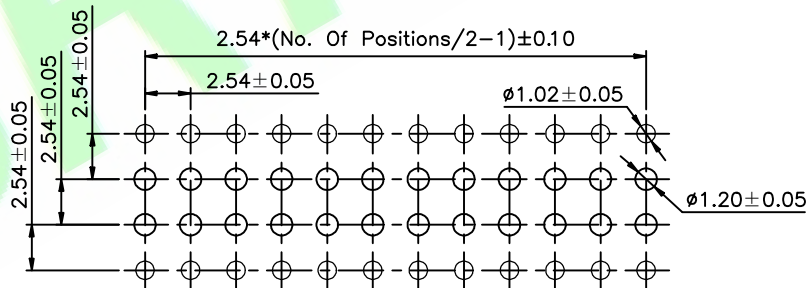
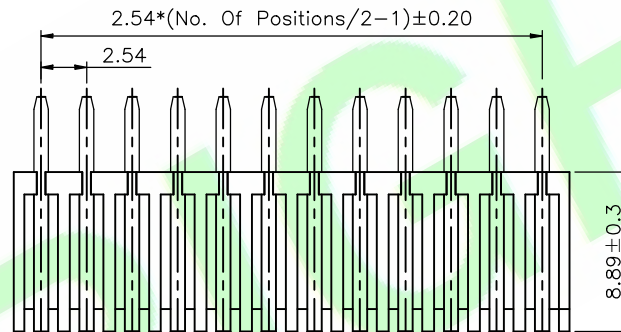
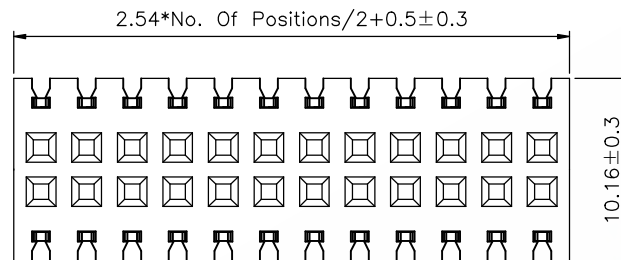
U:30u"Gold on Contact;Gold Flash on tail

S:Matte Tin Plated.

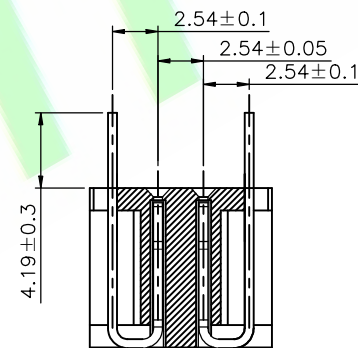
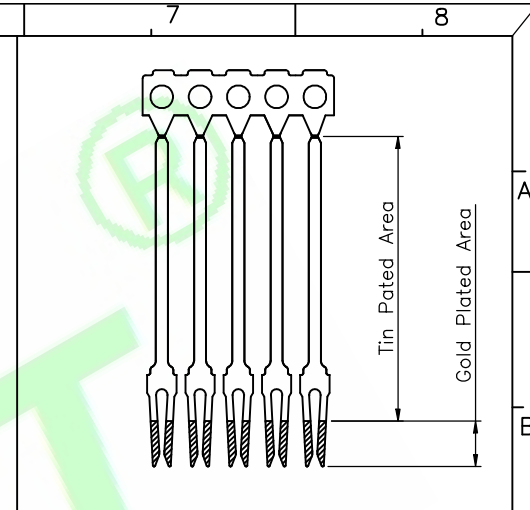
5: — A: In bag

B: In Tube

C: In Tray



Recommended PCB Layout



RoHS Compliant

5X				DR.BY.:	GENERAL TOLERANCE:		PART NO : S25612S-XXX89-X		<b>HJBRIGHT</b> ® 東莞市華晶電子有限公司 BRIGHT-E ELECTRONIC TECHNOLOGY LIMITED
4X					LINEAR	ANGLES	DWG. NO.: RD0806-122		
3X				CHKD.: 朱波	X.: ±0.30	X': ±5.0°	TITLE : 2.54mm Pitch PCB Socket Header Straight Type Bottom Entry		SHEET: 1/1
2X	加电镀规格	Judyyan	20220514	APPD.:	X.X: ±0.20	X.X': ±3.0°	DATE: 28-Jun-2008		SCALE: 1:1
1X	ORIGINAL	joy chen			X.XX: ±0.15	X.XX': ±2.0°			UNIT: mm
REV.	DESCRIPTION	DR.BY	ECN. NO.		X.XXX: ±0.10	X.XXX': ±1.0°			THIRD ANGLE PROJECTION

A4